

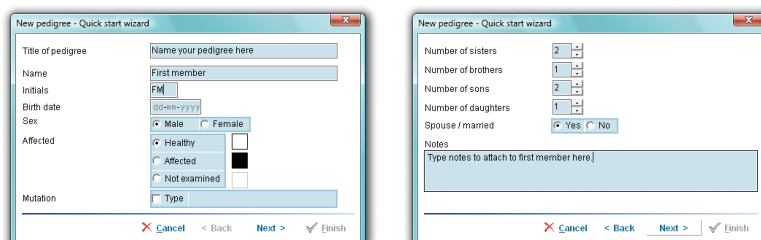


## A pedigree can be started by:

- Using the Quick Start Wizard
- Adding individual family members manually

### Quick Start Wizard

The Quick Start Wizard creates the pedigree from data entered on a series of forms. Complete each form in turn. Other than gender and whether the individual is affected, fields can be left blank. Both manual additions and deletions of family members and changes to the data fields can be made at any time.

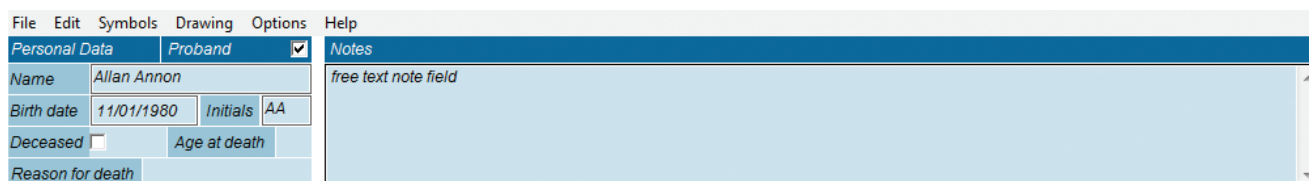


### Manually create or edit data

Use the palettes for Parents, Children, Siblings/Spouse to make changes at any time or use the Drawing tool to annotate the genealogical tree.

### Wizard data form content

These images contain fields related to a specific disease. However, they can be extended to include different content for any condition or disease group.



Left click on any individual in the pedigree to display or edit their summary data.

# Pedigree Features

Electronic medical record for genealogy documentation.

---

Visually add new family members.

---

Visually reorganize chart as needed.

---

Facility to add notes, labels, background shading.

---

All personal data optional.

---

Entered birth dates organizes nodes into correct order.

---

User authentication system.

---

Possibility to integrate into other medical record system.

---

Facility to add multiple partners plus spouse.

---

Facility to enter partial dates. For example year only for birth date.

---

Elicited Reason for death fields when Date of death is entered.

---

Identification of pedigree members for whom free text notes have been added.

---

Identification of examined/not examined family members with logical data controls.

---

Facility to rank family members by age within each generation of the pedigree chart.

---

User configurable chart display content. Two labels below and one to each side of the member can be displayed with the name, birth date, age, initials or presence of symptoms.

---

Proband assignment controls.

---

Facility to display or print data underlying genealogical tree in tabular form.

---

Facility to export chart using Copy and Paste. Facility to save pedigree as Adobe PDF.

---

Choice of header or right click activated menu shortcuts to control patient information displayed; magnification of user selected image area (zoom); maximise image to height or width of page; Within chart individual item Copy/Cut/Delete/Paste; Copy/Paste complete chart into any application; Overlay drawing objects with bring to front/send to back function.

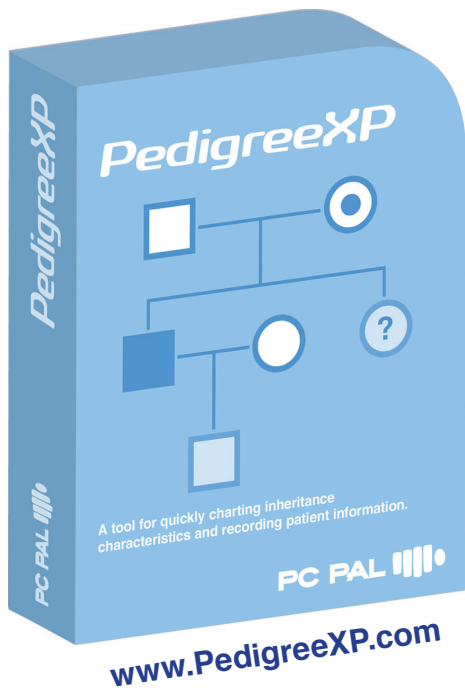
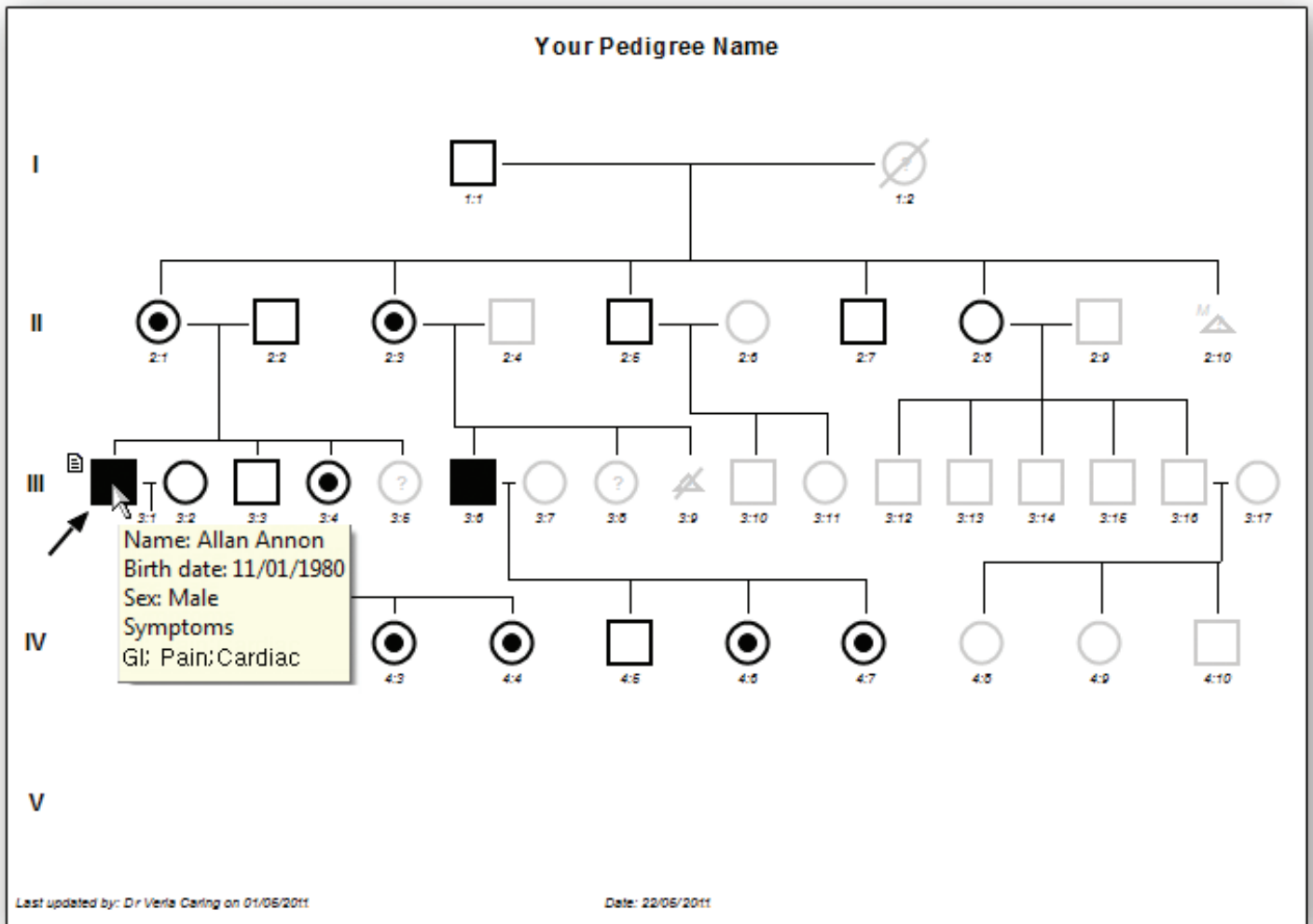
---

Print function with high quality output.

---

All changes to the chart and data identified by user, time and date for a complete audit trail.

---



**A note to developers**

The underlying pedigree creation module is available in component form. Contact us to discuss your needs.

**PC PAL IIIII**

— [www.pcpal.eu](http://www.pcpal.eu) —

■ SWEDEN  
+46 8 724 44 00

■ PARIS  
+33 1 69 53 46 20

■ USA/CANADA  
Toll-free: +1 877 469 7272

SWEDEN: Kaplansbacken 3, SE-112 24 Stockholm, Sweden, Phone: +46 8 724 44 00, Fax: +46 8 724 45 01  
FRANCE: 3 Avenue Jeanne Garnerin, 91320 Wissous, France, Phone: +33 1 69 53 46 20, Fax: +33 1 69 53 69 81